

Thanks for your purchase of tarot professional aerial photography products . Pls carefully read the manual before operating, hope it can be useful for you.As the user of this product, you are solely responsible for operating in a manner that does not endanger yourself and others or result in damage to the property of others.

感谢阁下选用TAROT 航拍系列产品， 在开始操作前， 请务必详阅本说明书， 相信一定能给您带来帮助。 **做为本产品的使用者， 您， 是唯一对于您自己操作的环境及行为负全部的责任之人。**

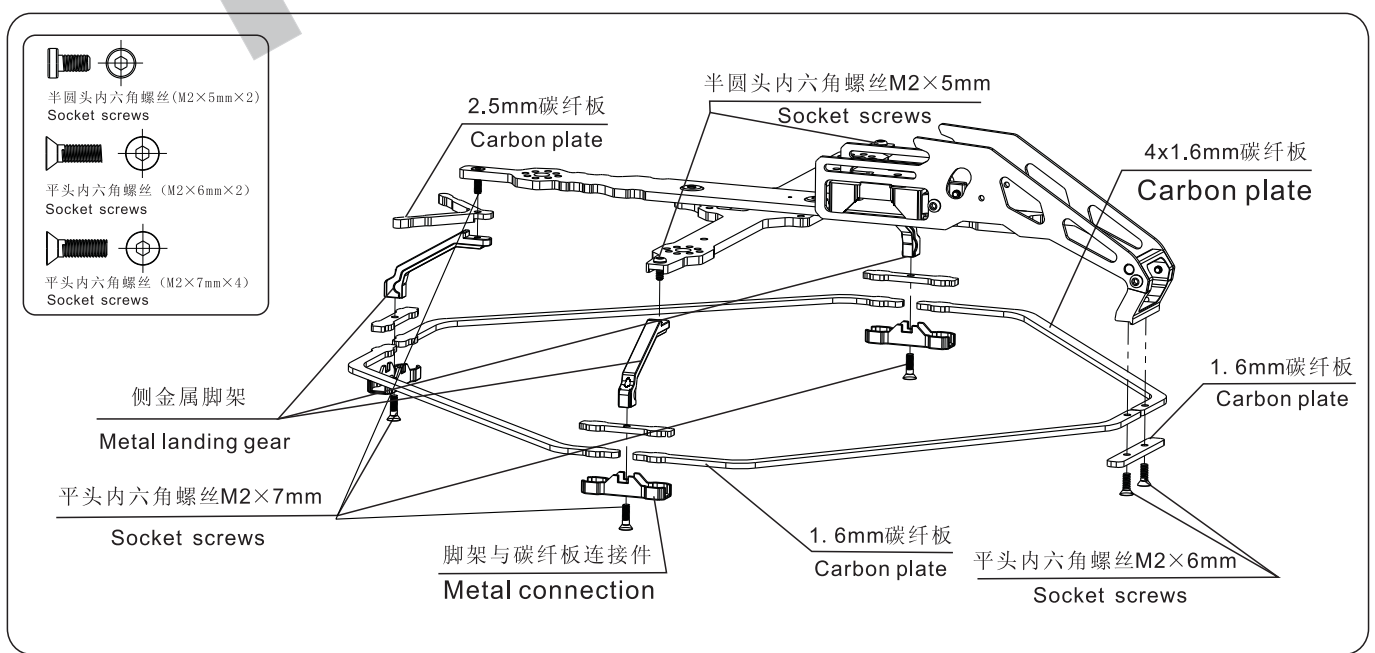
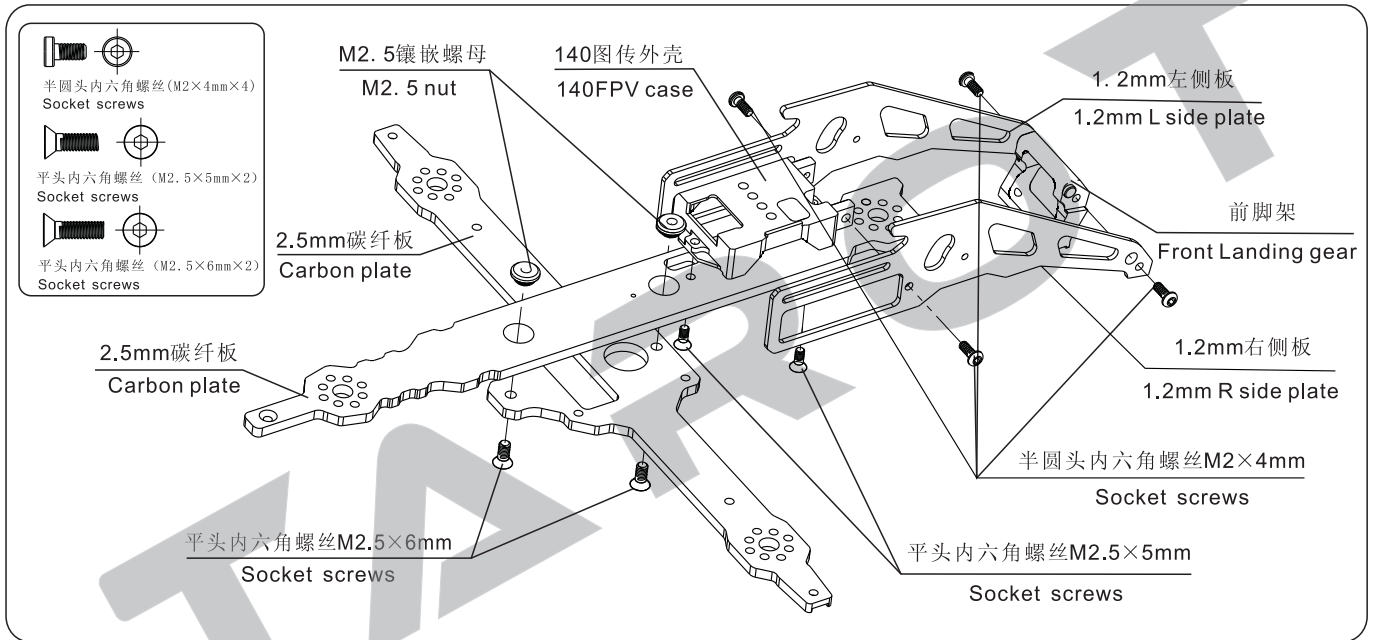


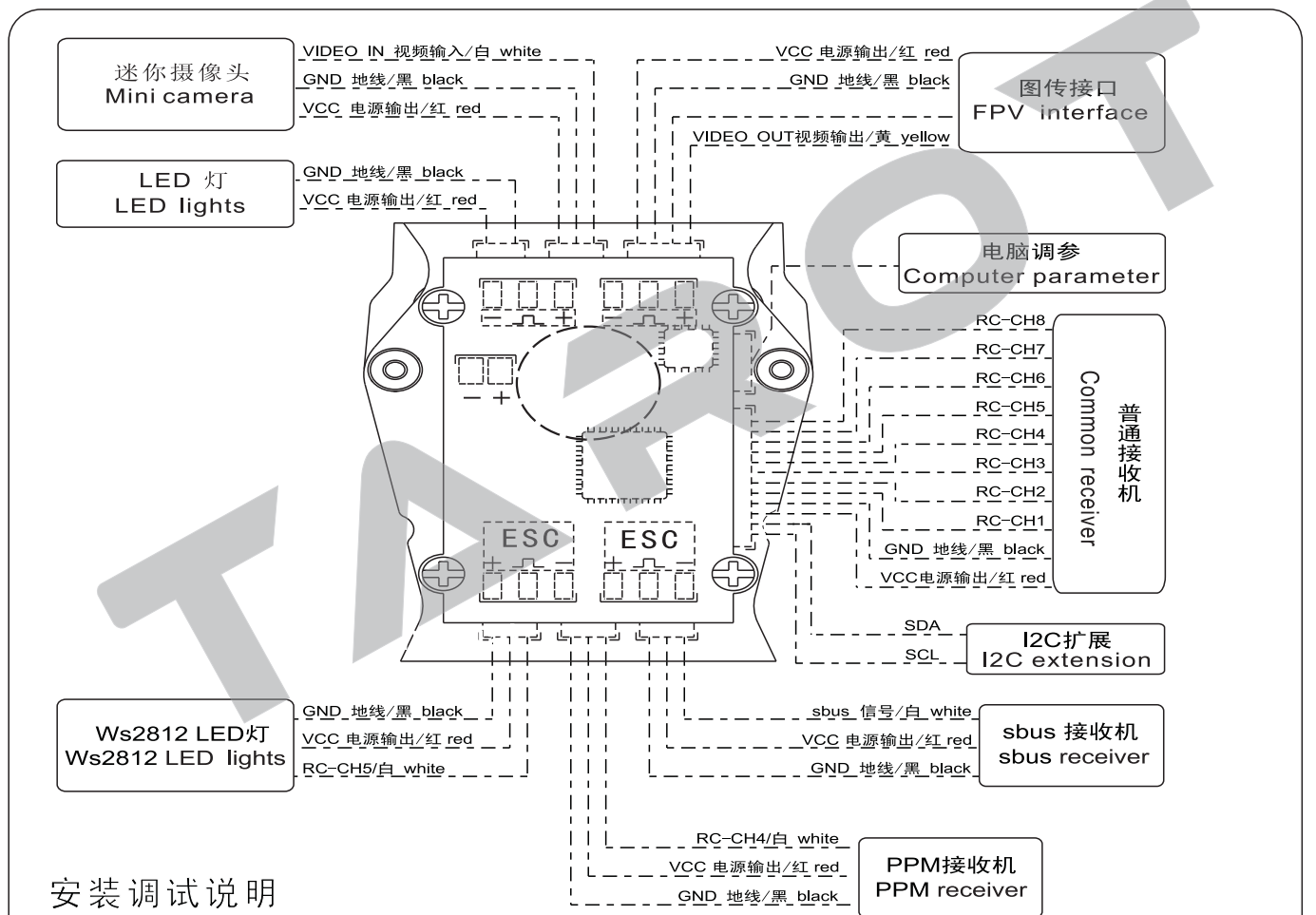
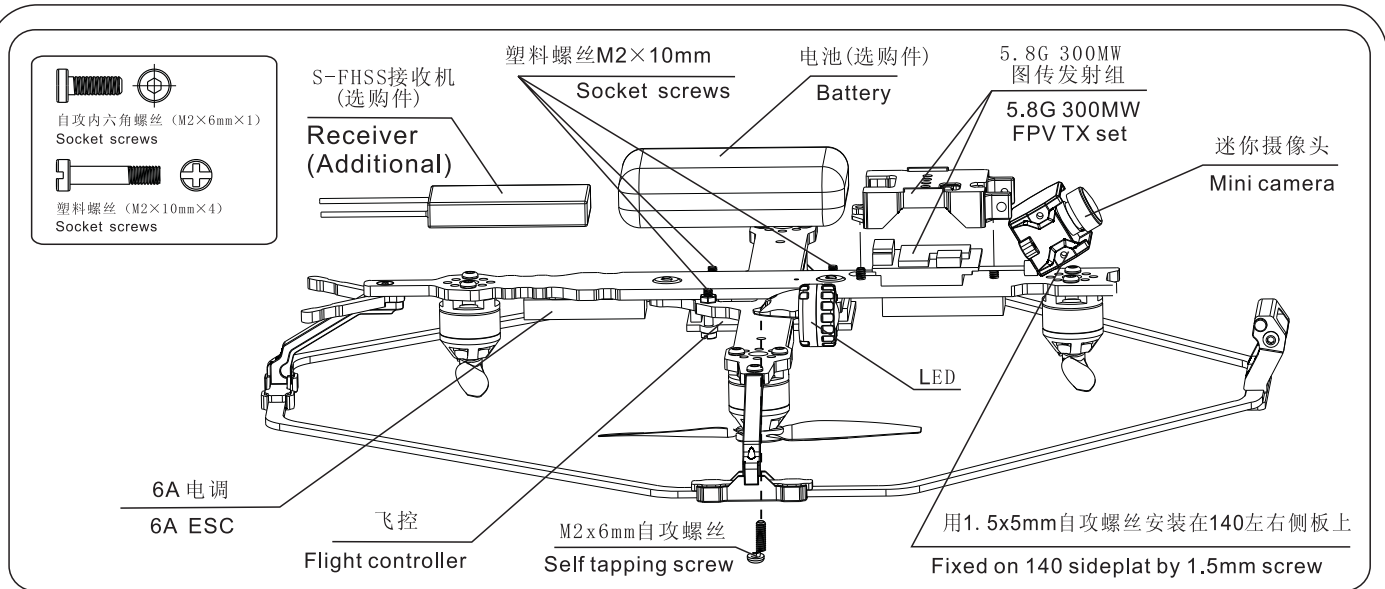
Fly only in safe areas, away from other people. Do not operate R/C aircraft within the vicinity of homes or crowds of people. R/C aircraft are prone to accidents, failures, and crashes due to a variety of reasons including, lack of maintenance, pilot error, and radio interference. Pilots are responsible for their actions and damage or injury occurring during the operation or as of a result of R/C aircraft models.

遥控模型飞机、直升机属高危险性商品， 飞行时务必远离人群， 人为组装不当或机件损坏、 电子控制设备不良， 以及操控上的不熟悉、 都有可能造成飞行失控损伤等不可预期的意外， 请飞行者务必注意飞行安全， 并需了解自负疏忽所造成任何意外之责任。

The state intellectual property has been awarded the TAROT model., ltd more patents. Any units or individual without the license holder manufacture、 copy、 use and sale the product will be patent lawsuit.

国家知识产权已授予TAROT航模有限公司此产品多项专利权。 任何单位或个人未经持有者授权许可， 制造、 仿造、 使用、 销售此产品将会面临专利侵权诉讼。





安装调试说明

1. Pls download the manual & softwae (<http://www.tarotrc.com>)
 2. Recommend used the micro SBUS 6 channel receiver, connect to the FC of SBUS channel.
 3. The stabilize mode/manual mode of the FPV kit is adjustment by transmitter Ch5.
 Stabilize mode: FC LED light red solid (one beep)
 Manual mode: FC LED light red off (one beep)
1. 请下载产品说明书及调参软件 (<http://www.tarotrc.com>)
 2. 建议使用微小型SBUS六通道接收机，连接到飞控的SBUS通道。
 3. 穿越机的自稳/手动工作模式，由遥控器CH5通道设定调整。
 自稳模式: 飞控LED红灯常亮(蜂鸣一声), 手动模式: 飞控LED红灯灭(蜂鸣一声)