



PRO WIRELESS

VIDEO TRANSMISSION



SDI / HDMI



0.08s Low Latency



500 ft (150m)



Live Stream

Important Safety Instructions



The device has been tested for conformance to safety regulations and requirements, and has been certified for international use. However, like all electronic equipment, the device should be used with care. Please read and follow the safety instructions to protect yourself from possible injury and to minimize the risk of damage to the unit.

- Please do not place the display screen towards the ground to avoid scratching the LCD surface.
- Please avoid heavy impact.
- Please do not use chemical solutions to clean this product. Simply wipe with a soft cloth to keep clean of the surface.
- Please do not place on uneven surfaces.
- Please do not store the monitor with sharp, metallic objects.
- Please follow the instructions and trouble-shooting to adjust the product.
- Internal adjustments or repairs must be performed by a qualified technician.
- Please keep user guide for future reference.
- Please unplug the power if long-term no-use, or thunder weather.

Safety Disposal For Old Electronic Equipment

Please do not regard the old electronic equipment as municipal waste and do not incinerate old electronic equipment. Instead please always follow local regulations and hand it over to the applicable collection stand for safe recycling. Ensure that these waste materials can be effectively disposed of and recycled to prevent our environment and families from negative effects.

Accessories



- | | |
|---------------------------|------|
| 1. Wireless Antenna | 4pcs |
| 2. USB-C Cable | 1pc |
| 3. Electronic User Manual | 1pc |

Content

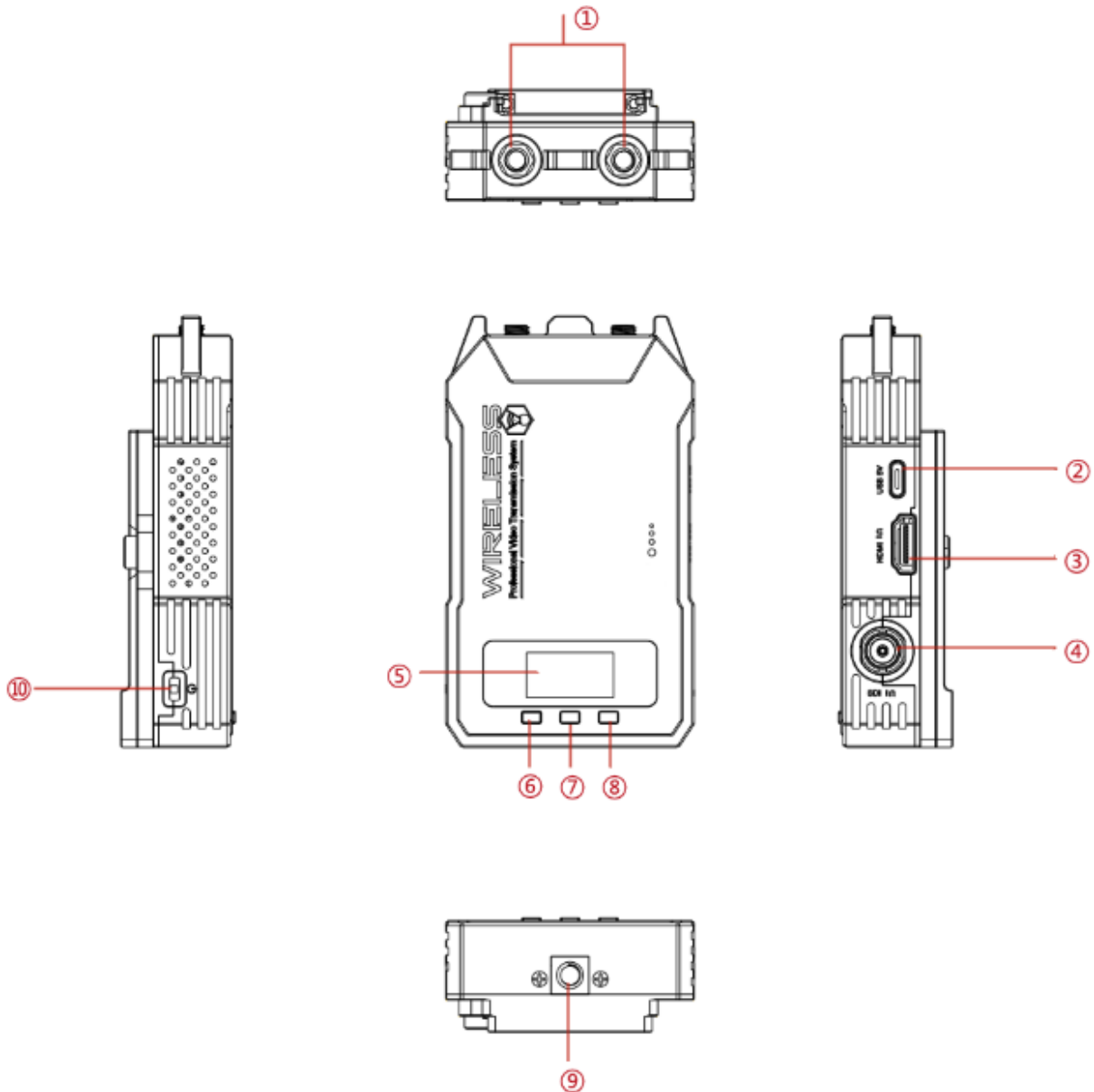
- 1. Features..... 5
- 2. Description 6
- 3. Application 8
- 4. Battery installation/removal..... 9
- 5. Menu..... 10
- 6. Specification 11
- 7. APP Monitoring 12
- 8. Trouble Shooting..... 13

1. Features

- OLED display
- Automatic frequency selection at high quality frequencies.
- Transmission distance up to 500ft (150m).
- Minimum latency up to 0.08s
- Transmitter supports SDI and HDMI input.
- Receiver supports SDI and HDMI output.
- Connectable to mobile devices and supports APP monitoring.
- Supports Sony NP-F series batteries as well as USB-C power.

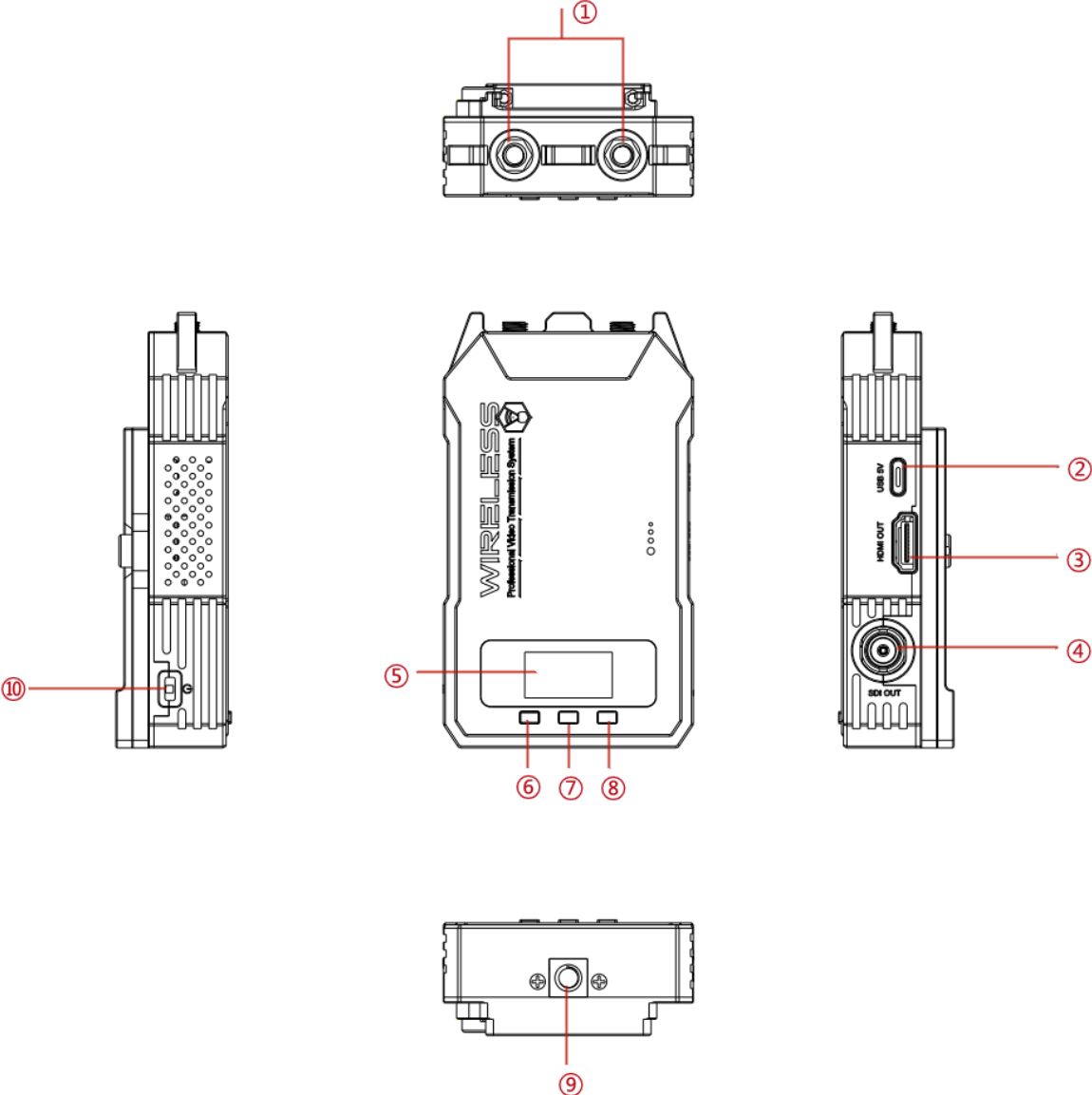
2. Description

2-1 Transmitter



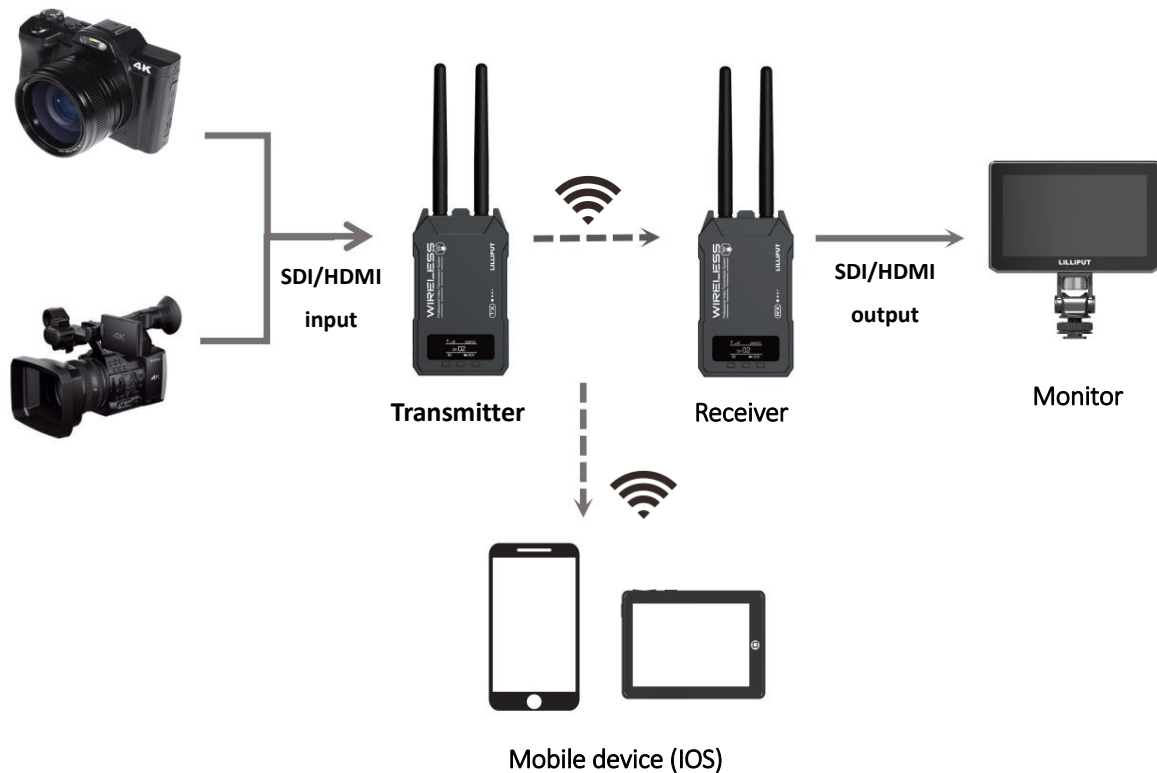
- ① Antenna connector (RP-SMA male)
- ② USB 5V
- ③ HDMI input
- ④ SDI input
- ⑤ OLED screen
- ⑥ <Select button
- ⑦ Menu/Confirm button
- ⑧ >Select button
- ⑨ 1/4" screw mount
- ⑩ Power switch

2-2 Receiver



- ① Antenna connector (RP-SMA male)
- ② USB 5V
- ③ HDMI output
- ④ SDI output
- ⑤ OLED screen
- ⑥ <Select button
- ⑦ Menu/Confirm button
- ⑧ >Select button
- ⑨ 1/4" screw mount
- ⑩ Power switch

3. Application



The connection process is shown in the diagram above. The camera and transmitter can be connected via an SDI/HDMI cable. After receiving video signal, the receiver outputs to monitor side via the SDI/HDMI cable.

APP monitoring allows for real-time monitoring as well as mobile device connection.

When the transmitter TX has HDMI and SDI input, the receiver RX output recognises the SDI signal from the transmitter TX in priority and outputs the SDI signal from TX, and only recognises the HDMI signal from the TX when the SDI signal is disconnected.

4. Battery installation/removal

Battery mounting (compatible with Sony NP-F series batteries)

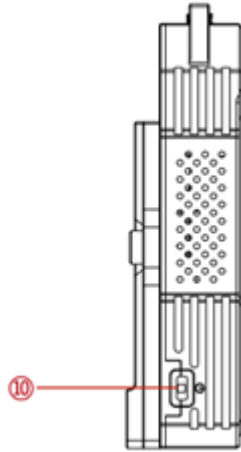


Battery removal

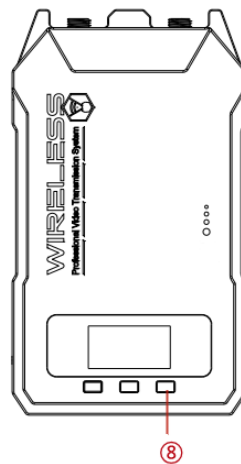


5. Menu

5-1 Power on the transmitter and receiver



5-2 Press and hold “>” select button to get the local QR code, install the app using your mobile device, and then use the app to scan the QR code to connect.



QR code is shown as:



5-3 OLED screen



- ① Wireless signal: current wireless signal status.
- ② Wireless channel: wireless channel currently in use.

- ③ Transmitter/receiver device: show whether the device is a transmitter or a receiver.
- ④ Video signal display: currently connected wireless video signal, or no video signal.
- ⑤ Battery level/DC input: displays the battery level and DC input information.

5-4 Open the menu

Press and hold the Menu/Confirm button to call out menu.

Then use the Select button to select the desired menu and press the Menu/Confirm button for menu confirmation.

Setting	Pairing	Pairing: ON/OFF
	Language	Chinese
		English
Message	SSID	ID
		Password
	Version	Version Number
Scan(Only for RX)	Scan: ON/OFF	

6. Specification

Display	1.3" OLED	
Video	HDMI input	1080p
	3G-SDI input	23.98/24/25/29.97/30/50/59.94/60fps
	HDMI output	1080i 50/60fps
	3G-SDI output	720p 50/60fps
Audio	48kHz 24-bit	
Transmission	Latency	80ms (from transmitter to receiver, no signal interference)
	Frequency	5GHz
	Transmission Power	17dBm
	Transmission Range	500ft/150m (no signal interference)
Power	Power Supply	DC 5V
	Power Consumption	≤3W
Environment	Working Temperature	0°C ~50°C
	Storage Temperature	-20°C ~60°C
Dimension	Dimension (LWD)	113×65×29mm
	Weight	TX: 200g / RX: 200g

7. APP Monitoring

1. Using an IOS device, download "Wireless video" from the Apple App Store (Android version is not supported at the moment).
2. Press and hold the Select button to get the local QR code, then use a mobile device to scan the QR code to connect.



- ① Back/Exit.
- ② Display settings: Brightness, contrast, sharpness and peaking focus and exposure
- ③ More settings: You can set the safety frame, greyscale and center mark.
- ④ Live stream.
- ⑤ Peaking focus shortcut on.
- ⑥ Exposure shortcut on.
- ⑦ Zoom shortcut: 1x, 2x and 4x can be set.
- ⑧ Recording.
- ⑨ Take a picture.

8. Trouble Shooting

- 1) Make sure that the transmitter and receiver are connected to the same channel.
- 2) Please check that antenna is correctly installed and locked in place.
- 3) Please check that the power supply battery or power supply cable is correctly connected.
- 4) Please check that the transmitter and receiver are successfully paired.
- 5) Please ensure that the HDMI / SDI connection is correct.
- 6) Please check if the device output format is compatible
- 7) If you experience video fluctuations, please manually switch to another channel.

Note: Specifications are subject to change without notice due to continuous efforts to improve products and product features.