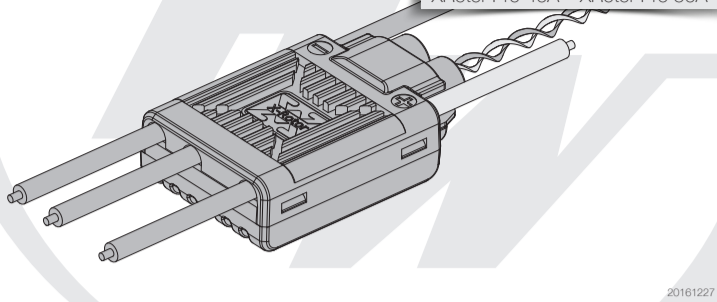


**X-Rotor USER MANUAL**  
**Multi-Rotor**  
 Brushless Electronic Speed Controller  
 XRotor Pro 40A • XRotor Pro 50A



20161227



Thank you for purchasing this HOBBYWING product! Brushless power systems can be very dangerous. Any improper use may cause personal injury and damage to the product and related devices. We strongly recommend reading through this user manual before use. Because we have no control over the use, installation, or maintenance of this product, no liability may be assumed for any damages or losses resulting from the use of the product. We do not assume responsibility for any losses caused by unauthorized modifications to our product. We, HOBBYWING, are only responsible for our product cost and nothing else as result of using our product.

## 01 Features

- Special core program for multi-rotor controllers greatly improves throttle response.
- DEO (Driving Efficiency Optimization) technology significantly improves throttle linearity and driving efficiency.
- High intelligent and adaptive default settings like auto-adjusting timing meet almost all applications.
- The twisted-pair design of the throttle signal cable effectively reduces the crosstalk produced in signal transmission and makes flight more stable.
- Compatible with various flight-control systems and supports a signal frequency of up to 621Hz. (Note: all throttle signals over 500Hz are non-standard signals.)
- The high-light LED position on the XRotor Pro 50A ESC saves the trouble of mounting any extra color light on multi-rotors.
- The DIP switches at the bottom of the XRotor Pro 50A ESC control the ESC ON/OFF status, color of the LED light, ON/OFF of the DEO function and the motor rotation.

## 02 Specifications

Model	Con. Current	Peak Current (10s)	BEC	LiPo	Programmable Item	Weight	Size
XRotor Pro 40A	40A	60A	NO	3-6S	DEO (ON/OFF)	50g (Version A) 45g (Version B)	66x21.8x11mm (Version A) 73.5x21.8x11mm (Version B)
XRotor Pro 50A	50A	70A	NO	4-6S	DEO (ON/OFF) and etc. (See instructions below)	56g	48 x 30 x 15.5mm

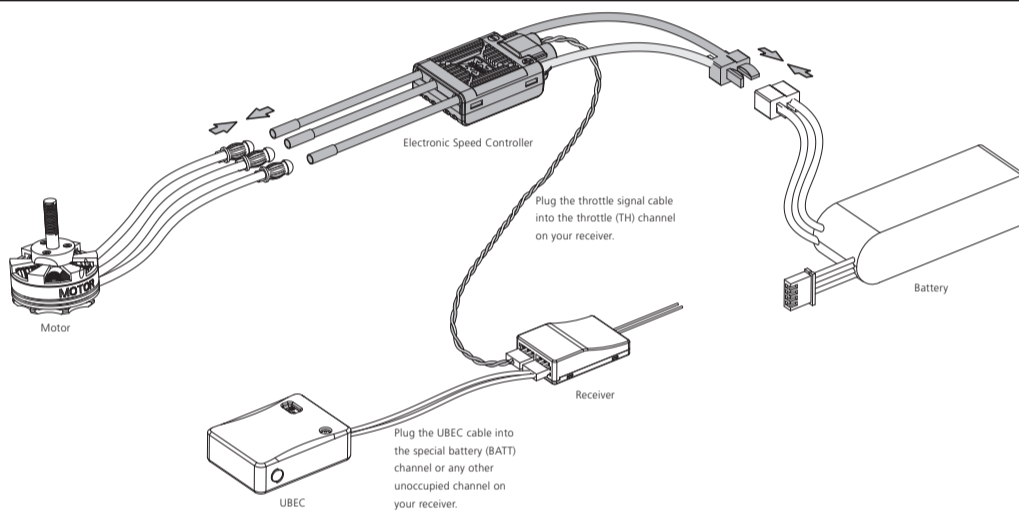
**Note:** Version A (Wire Leaded) connects brushless motor via output wires, while Version B (COB-Connector On Board) with gold-plated connectors already directly soldered onto the printed circuit board of the ESC, so Version B hasn't output wires.

## 03 User Guide

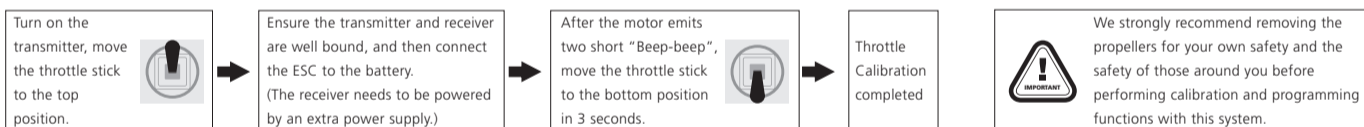
### Throttle Calibration & ESC Programming

Users need to calibrate the throttle range when they start to use a new XRotor brushless ESC or another transmitter.

### 1 Motor Wiring

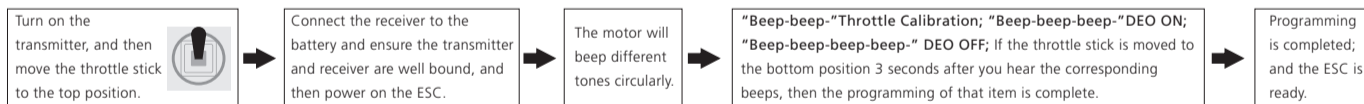


### 2 Throttle Range Calibration



### 3 ESC Programming

#### A) XRotor Pro 40A

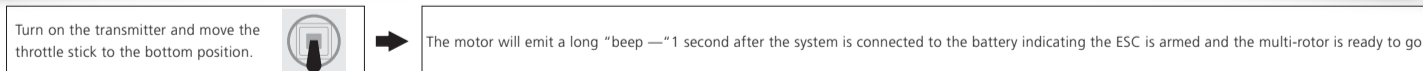


#### B) XRotor Pro 50A

Dip Switch	Switch #1 (LED Status)	Switch #2 (LED Color)	Switch #3 (DEO Status)	Switch #4 (Motor Rotation)
Option	On	Red	On	CW
	Off	Green	Off	CCW

**IMPORTANT!** With the DEO ON, for better throttle linearity, the ESC will automatically brake and quickly reduce the motor speed when decreasing the throttle amount. This can remarkably improve the movement of the multi-rotors and the stability of its flight direction. Moreover, this also improves the driving efficiency of the ESC and reduces its operating temperature.

## 04 Normal Start-up Process and Protections



- **Start-up Protection:** The ESC will shut down the motor if it fails to start the motor normally within 2 seconds by increasing the throttle value. In this case, you need to move the transmitter throttle stick back to the bottom position and restart the motor. (Possible causes of this problem: poor connection/ disconnection between the ESC and motor wires, propellers are blocked, etc.)
- **Over-load Protection:** The ESC will cut off the power/output when the load suddenly increases to a very high value. Normal operation will not resume until the throttle stick is moved back to the neutral position. The ESC will automatically attempt to restart when the motor and the ESC are out of sync.
- **Throttle Signal Loss Protection:** When the ESC detects loss of signal for over 0.25 second, it will cut off the output immediately to avoid an even greater loss which may be caused by the continuous high-speed rotation of propellers or rotor blades. The ESC will resume the corresponding output after normal signals are received.

## 05 Trouble shooting

Trouble	Warning Tone	Possible Cause	Solution
The ESC was unable to start the motor.	"Beep beep beep..." (The motor beeps rapidly)	The throttle stick is not at the bottom position.	Move the throttle stick to the bottom position or recalibrate the throttle range.
The ESC was unable to start the motor.	"Beep, beep, beep..." (Time interval is 1 second)	No output signal from the throttle channel on the receiver.	Check if the transmitter and receiver are well bound; Check if the throttle wire has been properly plugged into the throttle channel on the receiver.
The ESC was unable to start the motor.	"BB, BBB, BBBB" (These tones are played circularly)	The "Normal / Reverse" direction of the throttle channel on transmitter is incorrect.	Refer to the transmitter instructions and correctly set the "Normal/ Reverse" direction of the throttle channel.