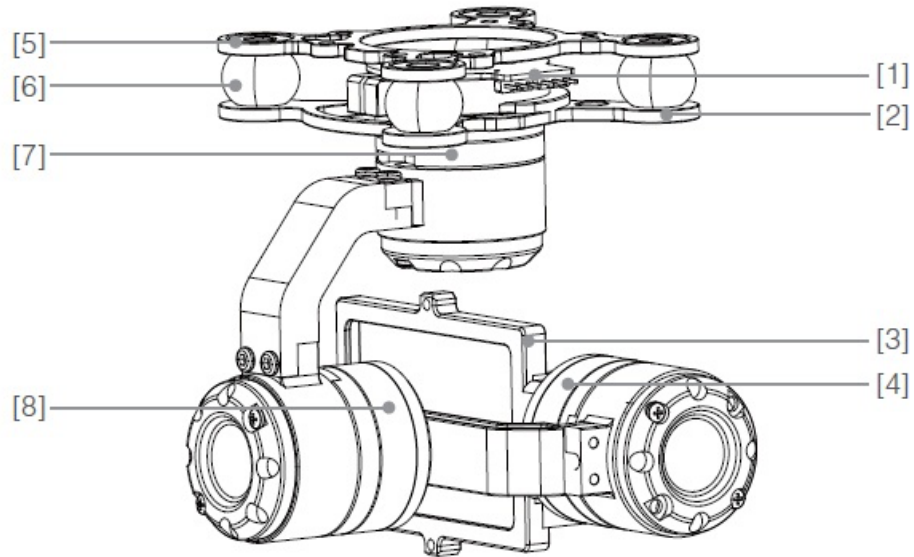


## Description



[1] 32bit mini controller port

[2] Yaw motor fastener

[3] Camera mount

[4] Pitch motor

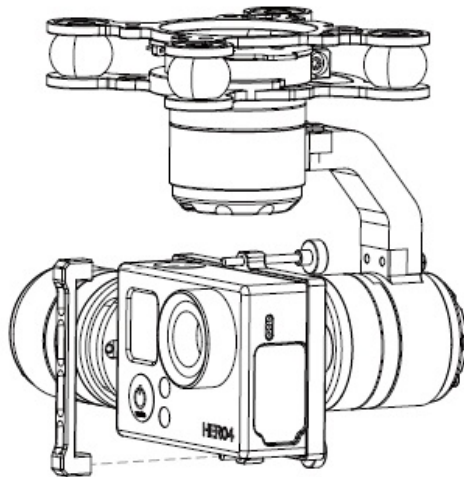
[5] Gimbal mounting board

[6] Damper

[7] Yaw motor

[8] Roll motor

## Camera mount



## Machine @ electronic character

Working current: Quiescent current: 220mA(@12V)    Dynamic current: 450mA(@12V)	
Input voltage: 3S(11.1V)	Operation temperature: -10°C ~ 50°C
Gimbal size: L105xW91xH98mm	Gimbal weight: 235g (without camera)

## Working character

Pitch range: $\pm 180^\circ$	Roll range: $\pm 45^\circ$	Yaw range: $\pm 360^\circ$ without limitation
Angle deviation: Pitch and roll direction: $\pm 0.02^\circ$		Horizontal direction: $\pm 0.03^\circ$